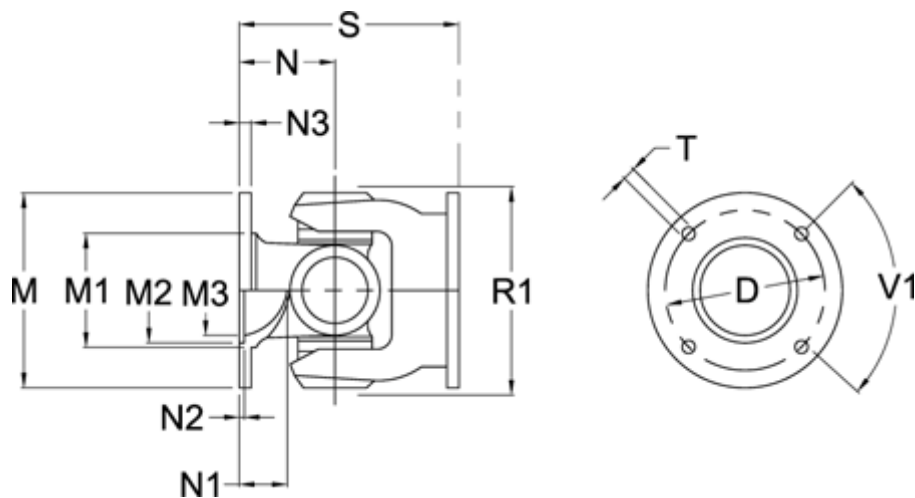


Article number: 07107400001

Description: Universal joint single 0.107.400.001
S=72 X= Bore with keyway

Measures



D	= 62 \pm 0,1	N2	= 2,2 \pm 0,3
Flange diameter M	= 75	N3	= 5.5
M1	= 45	Number og Flangeholes	= 6
M2	= 42	R1	= 70
M3	= 35	S min	= 72
Max. Bending Angle degrees	= 30	T	= 6 B12
N	= 36	V1 degrees	= 60
N1	= 15		